

# 锥形天线

## OCN-094-15

Model OCN-094-15 is a W-band conical horn antenna that operates from 87 to 100 GHz.

The antenna offers 15 dB nominal gain and a typical half power beamwidth of 30 degrees on the E-plane and 36 degrees on the H-plane.

The horn also offers typical sidelobes of -16 dB on the E-plane and -28 dB on the H-plane. The conical horn can support linear and circular polarization.

The input of this antenna is a 0.094" diameter circular waveguide with UG-387/U-M flange.



### 特征

圆形波导接口

精确加工和镀金

高回波损耗

线性极化和圆极化

### 应用

天线范围

喇叭馈电

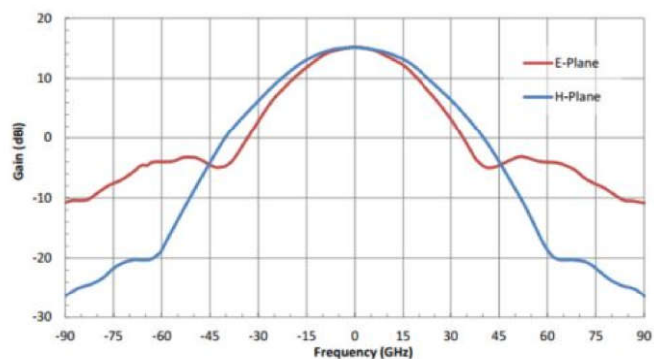
系统设置

### 电气规格

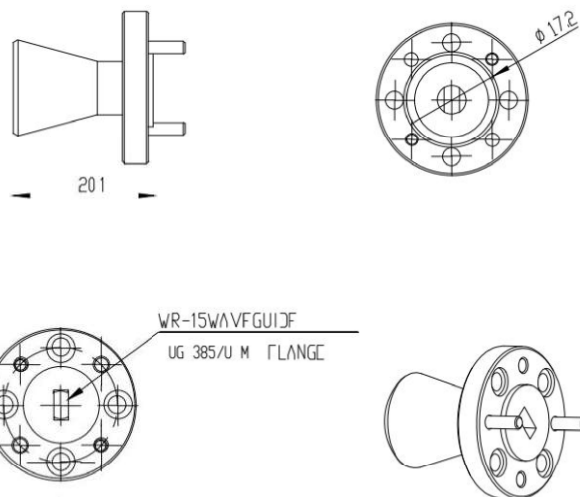
频率	(87-100) GHz
增益	15dB
3 dB波束宽度, E平面	30°
3 dB波束宽度, H平面	36°
旁瓣, E平面	-16dB
旁瓣, H平面	-28dB
驻波比	1.15:1
特征温度	+25°C
工作温度	-40°C — +85°C

### 测试

Typical Antenna Pattern @ 93.5 GHz



### 产品尺寸



Typical Gain vs. Frequency

